

## Datasheet for three-phase Squirrel-Cage-Motors

**Order Number: 1LE0101-1CC23-4AB4**

Client-order-no.:

Order-no.:

Offer-no.:

Remarks:

Item-no.:

Consignment-no.:

Project:



### Electrical data

Rated motor voltage:	400VD / 690VY
Frequency:	50 Hz
Rated motor power:	4 kW
Rated motor speed:	960 1/min
Maximum Speed:	2400 1/min
Number of poles:	6
No load current:	5.0 A
Rated current:	9.31 A
Starting current:	5.6
Rated motor torque:	39.79 Nm
Torque class:	K
Starting torque:	2.1
Breakdown torque:	2.9
Efficiency class:	IE 2
Efficiency 100% Load:	84.6%
Efficiency 75% Load:	85.4%
Efficiency 50% Load:	84.5%
Power factor 100% Load:	0.73
Motor protection:	3 PTC thermistors for tripping
Terminal box position:	terminal box on top

### Mechanical data

Noise (Lpfa):	56.00 dB(A)
Moment of inertia:	0.024 kg m <sup>2</sup>
Cantilever force for x0:	3100 N
Cantilever force for xmax:	2420 N
Bearing drive end:	6308 2Z C3
Bearing non-drive end (hor.mount.):	6208 2Z C3
Bearing non-drive end (vert.mount.):	6208 2Z C3
Drain holes:	yes
Regreasing device:	no
Relubrication interval at 40°C:	
Coating:	RAL 7030 stone gray

### Site conditions

Ambient temperature:	-20.0°C to +40°C
Altitude above sea level:	1000m
Standards and specifications:	IEC

### General data

Frame size:	132M
Type of construction:	IMB3
Weight in kg (net):	66 kg
Frame material:	Cast iron
Fan cover material:	metal
Degree of protection:	IP 55
Method of cooling:	Self-ventilated (IC 411)
Vibration class:	A (standard)
Insulation:	155(F) / 130(B)
Duty type:	S1 = cont. operation
Direction of rotation:	bidirectional

### Terminal box

Material of terminal box:	Cast iron
Terminal screw thread:	M4
Max. cable cross-sectional area:	6 mm <sup>2</sup>
Cable diameter from ... to ...:	18 - 25 mm
Cable entry:	M32 x 1.5 + M32 x 1.5
Cable gland:	no

### Explosion protection

Type of protection:	without (standard)
---------------------	--------------------

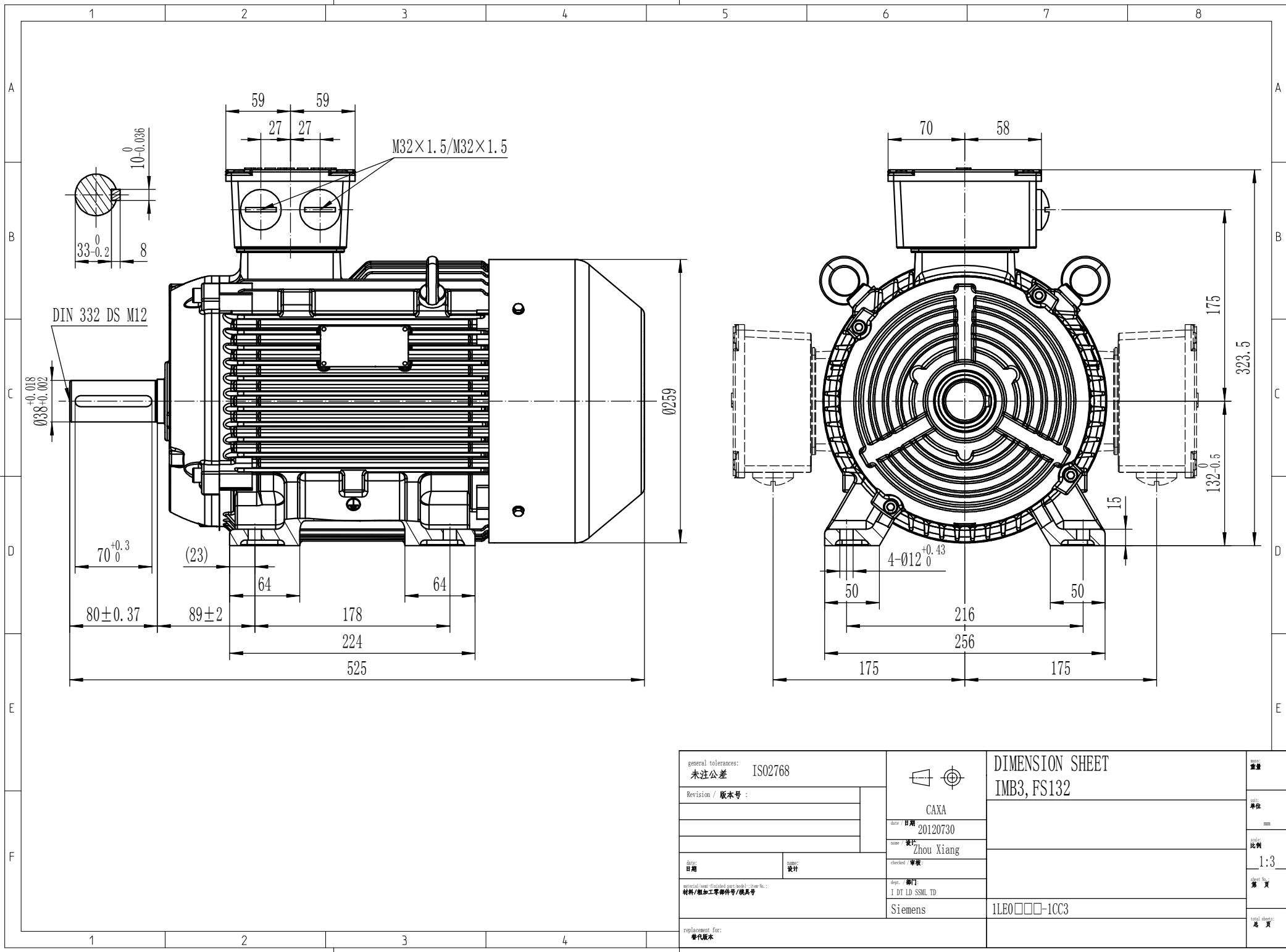
### Special configurations

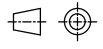
Technical and ordering data are subject to change. There may be discrepancies between calculated and rating plate values.

Printed on 2013-02-08

此文件包含西门子工业有限公司的所有权利。未经书面许可，不得复制或传播。  
 This document contains all rights reserved by Siemens Industrial Limited. No reproduction or distribution is permitted without written permission.

The reproduction, transmission or use of this document or its content is prohibited without the prior written permission of Siemens AG. All rights, including rights created by patent or registration of a utility model or design, are reserved.



general tolerances: 未注公差 IS02768		 CAXA date 日期: 20120730 name 设计: Zhou Xiang checked 审核: dept. 部门: I DT LD SSML TD Siemens	DIMENSION SHEET IMB3, FS132	重量 单位 mm 比例 1:3 第 页 总 页
Revision / 版本号:			1LE0□□□-1CC3	replacement for: 替代版本
date 日期:	name 设计:		dept. 部门:	material/name (finished part model): item No.: 材料/加工零部件号/模具号