

## Datasheet for three-phase Squirrel-Cage-Motors

**Order Number: 1LE0101-1CC03-4AB4**

Client-order-no.:

Order-no.:

Offer-no.:

Remarks:

Item-no.:

Consignment-no.:

Project:



### Electrical data

Rated motor voltage:	400VD / 690VY
Frequency:	50 Hz
Rated motor power:	3 kW
Rated motor speed:	960 1/min
Maximum Speed:	2400 1/min
Number of poles:	6
No load current:	3.70 A
Rated current:	7.1 A
Starting current:	5.2
Rated motor torque:	29.84 Nm
Torque class:	D
Starting torque:	2
Breakdown torque:	2.8
Efficiency class:	IE 2
Efficiency 100% Load:	83.3%
Efficiency 75% Load:	84.3%
Efficiency 50% Load:	83.4%
Power factor 100% Load:	0.73
Motor protection:	3 PTC thermistors for tripping
Terminal box position:	terminal box on top

### Mechanical data

Noise (Lpfa):	56.00 dB(A)
Moment of inertia:	0.019 kg m <sup>2</sup>
Cantilever force for x0:	3100 N
Cantilever force for xmax:	2420 N
Bearing drive end:	6308 2Z C3
Bearing non-drive end (hor.mount.):	6208 2Z C3
Bearing non-drive end (vert.mount.):	6208 2Z C3
Drain holes:	yes
Regreasing device:	no
Relubrication interval at 40°C:	
Coating:	RAL 7030 stone gray

### Site conditions

Ambient temperature:	-20.0°C to +40°C
Altitude above sea level:	1000m
Standards and specifications:	IEC

### General data

Frame size:	132S
Type of construction:	IMB3
Weight in kg (net):	56 kg
Frame material:	Cast iron
Fan cover material:	metal
Degree of protection:	IP 55
Method of cooling:	Self-ventilated (IC 411)
Vibration class:	A (standard)
Insulation:	155(F) / 130(B)
Duty type:	S1 = cont. operation
Direction of rotation:	bidirectional

### Terminal box

Material of terminal box:	Cast iron
Terminal screw thread:	M4
Max. cable cross-sectional area:	6 mm <sup>2</sup>
Cable diameter from ... to ...:	18 - 25 mm
Cable entry:	M32 x 1.5 + M32 x 1.5
Cable gland:	no

### Explosion protection

Type of protection:	without (standard)
---------------------	--------------------

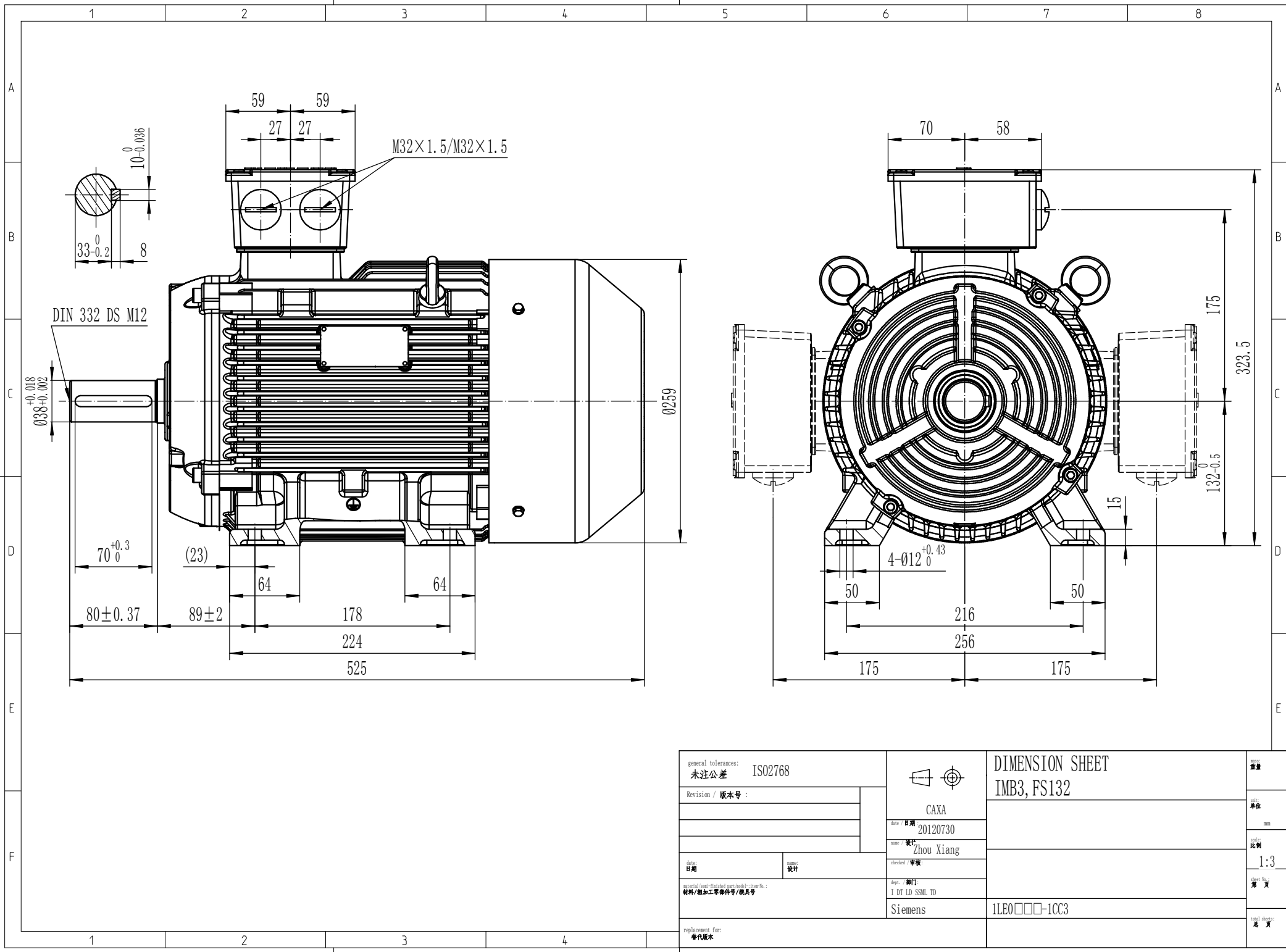
### Special configurations

Technical and ordering data are subject to change. There may be discrepancies between calculated and rating plate values.

Printed on 2013-02-08

SIEMENS AG, MUNCHEN, GERMANY. ALL RIGHTS RESERVED.

The reproduction, transmission or use of this document or its contents for any purpose other than that for which it was created without the written permission of Siemens AG is prohibited. All rights including patent rights reserved.



general tolerances: <b>ISO2768</b> 未注公差 <b>ISO2768</b>			<b>DIMENSION SHEET</b> <b>IMB3, FS132</b>		重量
Revision / 版本号:			date / 日期: <b>20120730</b>		单位
		name / 设计: <b>Zhou Xiang</b>		mm	
		checked / 审核:		比例	
		dept. / 部门: <b>I DT LD SSM TD</b>		1:3	
date / 日期:		material / 材料 (finished part model / 模具号):		sheet No.	
		Siemens		第 页	
		replacement for:		total sheets	
		替代版本		总 页	
		1LE0□□□-1CC3			