

Datasheet for three-phase Squirrel-Cage-Motors

Order Number: 1LE0102-2DC03-4AA4

Client-order-no.:

Order-no.:

Offer-no.:

Remarks:

Item-no.:

Consignment-no.:

Project:



Electrical data

Rated motor voltage:	400VD / 690VY
Frequency:	50 Hz
Rated motor power:	45 kW
Rated motor speed:	985 1/min
Maximum Speed:	1800 1/min
Number of poles:	6
No load current:	28.0 A
Rated current:	84 A
Starting current:	7.1
Rated motor torque:	437 Nm
Torque class:	K
Starting torque:	2.5
Breakdown torque:	2.8
Efficiency class:	IE 1
Efficiency 100% Load:	91.4%
Efficiency 75% Load:	92.4%
Efficiency 50% Load:	92.3%
Power factor 100% Load:	0.85
Motor protection:	without
Terminal box position:	terminal box on top

Mechanical data

Noise (Lpfa):	66.00 dB(A)
Moment of inertia:	1.1 kg m ²
Cantilever force for x0:	9650 N
Cantilever force for xmax:	8120 N
Bearing drive end:	6317 C3
Bearing non-drive end (hor.mount.):	6317 C3
Bearing non-drive end (vert.mount.):	7317 AC
Drain holes:	yes
Regreasing device:	yes
Relubrication interval at 40°C:	5000 h
Coating:	RAL 7030 stone gray

Site conditions

Ambient temperature:	-20.0°C to +40°C
Altitude above sea level:	1000m
Standards and specifications:	IEC

General data

Frame size:	280S
Type of construction:	IMB3
Weight in kg (net):	500 kg
Frame material:	Cast iron
Fan cover material:	metal
Degree of protection:	IP 55
Method of cooling:	Self-ventilated (IC 411)
Vibration class:	A (standard)
Insulation:	155(F) / 130(B)
Duty type:	S1 = cont. operation
Direction of rotation:	bidirectional

Terminal box

Material of terminal box:	Cast iron
Terminal screw thread:	M10
Max. cable cross-sectional area:	120 mm ²
Cable diameter from ... to ...:	37 - 44 mm
Cable entry:	M63 x 1.5 + M63 x 1.5
Cable gland:	no

Explosion protection

Type of protection:	without (standard)
---------------------	--------------------

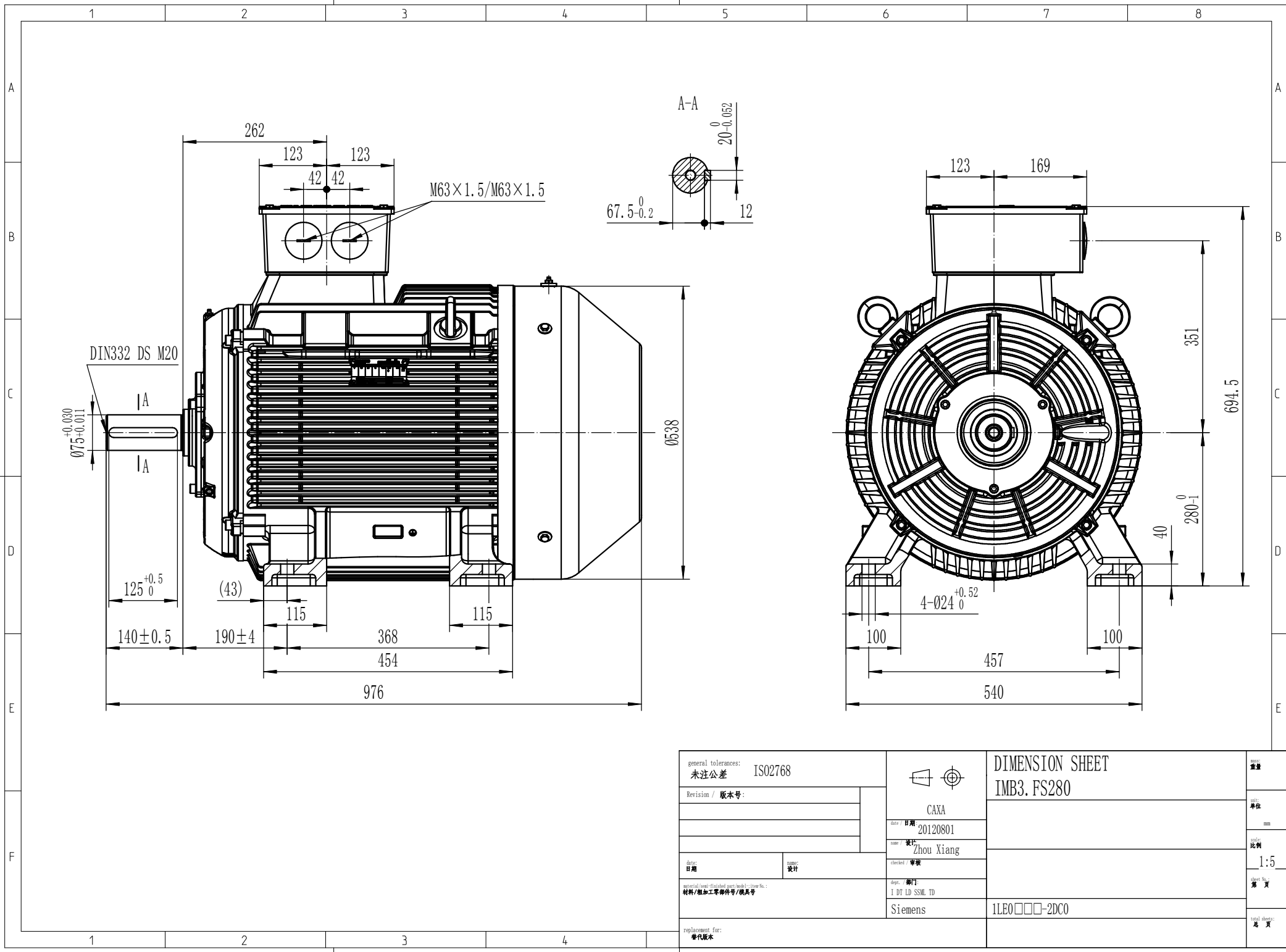
Special configurations

Technical and ordering data are subject to change. There may be discrepancies between calculated and rating plate values.

Printed on 2013-02-08

СЕРТИФИЦИРОВАННОЕ КОМПЬЮТЕРНОЕ ПРОГРАММНОЕ ОБЕСПЕЧЕНИЕ
 СИСТЕМЫ ЧИСЕЛЕННОГО РЕШЕНИЯ ЗАДАЧ ПРОЕКТИРОВАНИЯ

The reproduction, transmission or use of this document or its contents for any purpose other than that for which it was created without the written permission of Siemens AG is prohibited. All rights including rights created by patent or registration of a utility model or design, are reserved.



general tolerances: 未注公差	ISO2768	 CAXA	DIMENSION SHEET	重量
Revision / 版本号:			IMB3. FS280	单位
		日期 20120801		mm
		设计 Zhou Xiang		比例
date: 日期	design: 设计	checked / 审核		1:5
material/semi-finished part model / item No.:		dept. / 部门		第 页
材料/加工零部件号/模具号		I DT LD SSM TD		总 页
replacement for: 替代版本		Siemens	1LE0□□□-2DC0	