

## Datasheet for three-phase Squirrel-Cage-Motors

**Order Number: 1LE0102-0EB42-2AA4**

Client-order-no.:

Order-no.:

Offer-no.:

Remarks:

Item-no.:

Consignment-no.:

Project:



### Electrical data

Rated motor voltage:	230VD / 400VY
Frequency:	50 Hz
Rated motor power:	1.5 kW
Rated motor speed:	1425 1/min
Maximum Speed:	3600 1/min
Number of poles:	4
No load current:	2.1 A
Rated current:	3.50 A
Starting current:	5.6
Rated motor torque:	10 Nm
Torque class:	E
Starting torque:	2
Breakdown torque:	2.5
Efficiency class:	IE 1
Efficiency 100% Load:	77.2%
Efficiency 75% Load:	77.3%
Efficiency 50% Load:	75.1%
Power factor 100% Load:	0.81
Motor protection:	without
Terminal box position:	terminal box on top

### Mechanical data

Noise (Lpfa):	48.00 dB(A)
Moment of inertia:	0.0034 kg m <sup>2</sup>
Cantilever force for x0:	880 N
Cantilever force for xmax:	720 N
Bearing drive end:	6205 2Z C3
Bearing non-drive end (hor.mount.):	6205 2Z C3
Bearing non-drive end (vert.mount.):	6205 2Z C3
Drain holes:	no
Regreasing device:	no
Relubrication interval at 40°C:	
Coating:	RAL 7030 stone gray

### Site conditions

Ambient temperature:	-20.0°C to +40°C
Altitude above sea level:	1000m
Standards and specifications:	IEC

### General data

Frame size:	90L
Type of construction:	IMB3
Weight in kg (net):	26 kg
Frame material:	Cast iron
Fan cover material:	metal
Degree of protection:	IP 55
Method of cooling:	Self-ventilated (IC 411)
Vibration class:	A (standard)
Insulation:	155(F) / 130(B)
Duty type:	S1 = cont. operation
Direction of rotation:	bidirectional

### Terminal box

Material of terminal box:	Cast iron
Terminal screw thread:	M4
Max. cable cross-sectional area:	1.5 mm <sup>2</sup>
Cable diameter from ... to ...:	13 - 18 mm
Cable entry:	M25 x 1.5 + M16 x 1.5
Cable gland:	no

### Explosion protection

Type of protection:	without (standard)
---------------------	--------------------

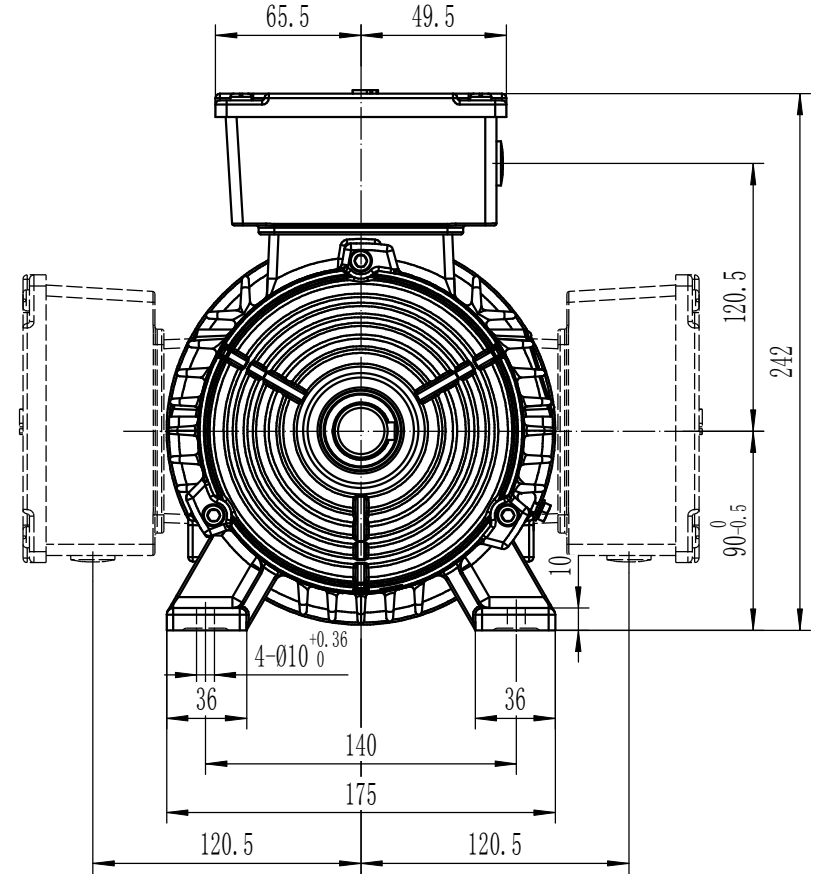
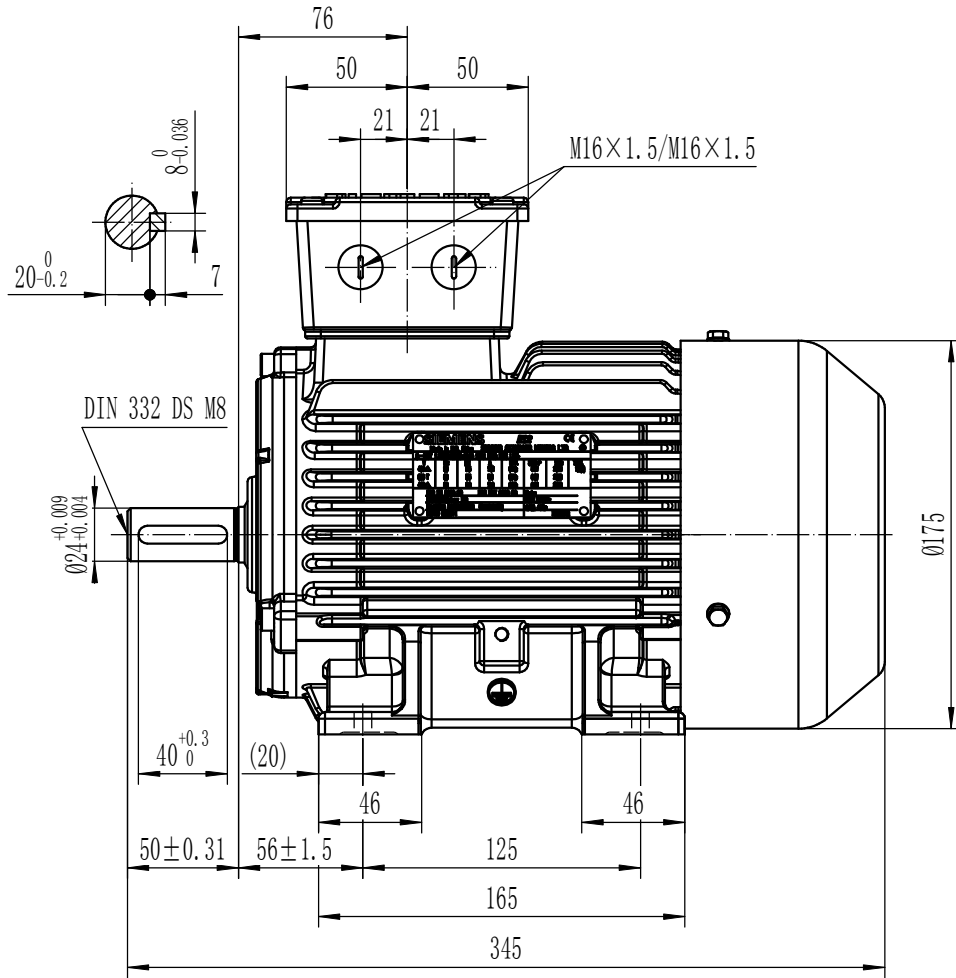
### Special configurations

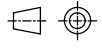
Technical and ordering data are subject to change. There may be discrepancies between calculated and rating plate values.

Printed on 2013-02-08

СЕРТИФИЦИРОВАННОЕ КОМПЬЮТЕРНОЕ ПРОГРАММНОЕ ОБЕСПЕЧЕНИЕ  
 СИСТЕМЫ ПРОЕКТИРОВАНИЯ КОМПОНОВ И АСМБЛЕЖ  
 СИСТЕМЫ ПРОЕКТИРОВАНИЯ КОМПОНОВ И АСМБЛЕЖ

The reproduction, transmission or use of this document or its  
 content in any form or by any means, including electronic  
 means, without the prior written permission of the copyright  
 owner, shall be liable for damages. All rights including rights created  
 by patent or registration of a utility model or design, are reserved.



general tolerances: 未注公差 IS02768		 CAXA date 日期 20120730 name 设计 Zhou Xiang checked 审核 : dept. 部门 I DT LD SSML TD Siemens	DIMENSION SHEET IMB3, FS90	重量
Revision / 版本号 :				单位
			mm	
			比例	
			1:2	
date 日期			第 页	
material/semi-finished part model / 材料/加工零部件号/模具号			总 页	
replacement for: 替代版本				
			1LE0□□□-0EB4	