



## Datasheet for three-phase Squirrel-Cage-Motors

**Order Number: 1LE0102-3AB73-4AA4**

Client-order-no.:

Order-no.:

Offer-no.:

Remarks:

Item-no.:

Consignment-no.:

Project:

### Electrical data

Rated motor voltage:	400VD / 690VY
Frequency:	50 Hz
Rated motor power:	200 kW
Rated motor speed:	1488 1/min
Maximum Speed:	2300 1/min
Number of poles:	4
No load current:	84 A
Rated current:	345 A
Starting current:	7.4
Rated motor torque:	1285 Nm
Torque class:	J
Starting torque:	3
Breakdown torque:	3
Efficiency class:	IE 1
Efficiency 100% Load:	94%
Efficiency 75% Load:	94.3%
Efficiency 50% Load:	94.1%
Power factor 100% Load:	0.88
Motor protection:	without
Terminal box position:	terminal box on top

### Mechanical data

Noise (Lpfa):	78.00 dB(A)
Moment of inertia:	3.7 kg m <sup>2</sup>
Cantilever force for x0:	8700 N
Cantilever force for xmax:	7250 N
Bearing drive end:	6319 C3
Bearing non-drive end (hor.mount.):	6319 C3
Bearing non-drive end (vert.mount.):	7319 AC
Drain holes:	yes
Regreasing device:	yes
Relubrication interval at 40°C:	5000 h
Coating:	RAL 7030 stone gray

### Site conditions

Ambient temperature:	-20.0°C to +40°C
Altitude above sea level:	1000m
Standards and specifications:	IEC

### General data

Frame size:	315L
Type of construction:	IMB3
Weight in kg (net):	1070 kg
Frame material:	Cast iron
Fan cover material:	metal
Degree of protection:	IP 55
Method of cooling:	Self-ventilated (IC 411)
Vibration class:	A (standard)
Insulation:	155(F) / 130(B)
Duty type:	S1 = cont. operation
Direction of rotation:	bidirectional

### Terminal box

Material of terminal box:	Cast iron
Terminal screw thread:	M12
Max. cable cross-sectional area:	240 mm <sup>2</sup>
Cable diameter from ... to ...:	37 - 44 mm
Cable entry:	M63 x 1.5 + M63 x 1.5
Cable gland:	no

### Explosion protection

Type of protection:	without (standard)
---------------------	--------------------

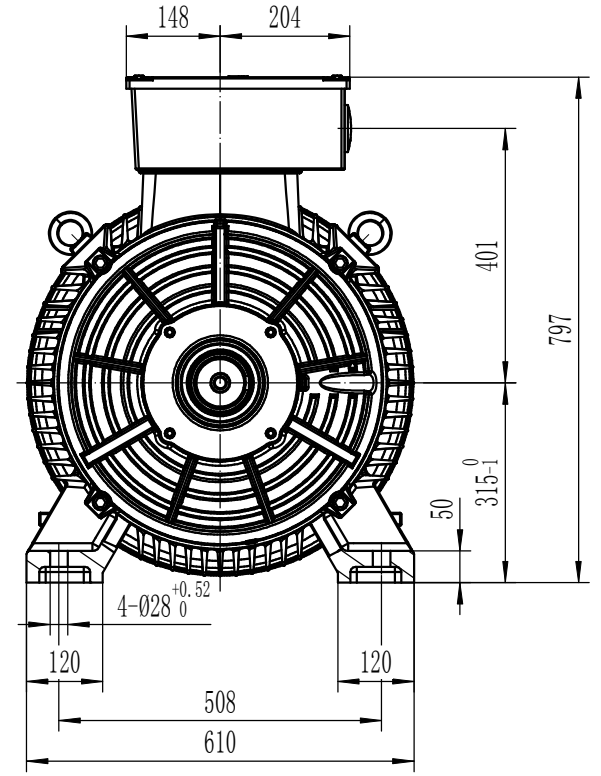
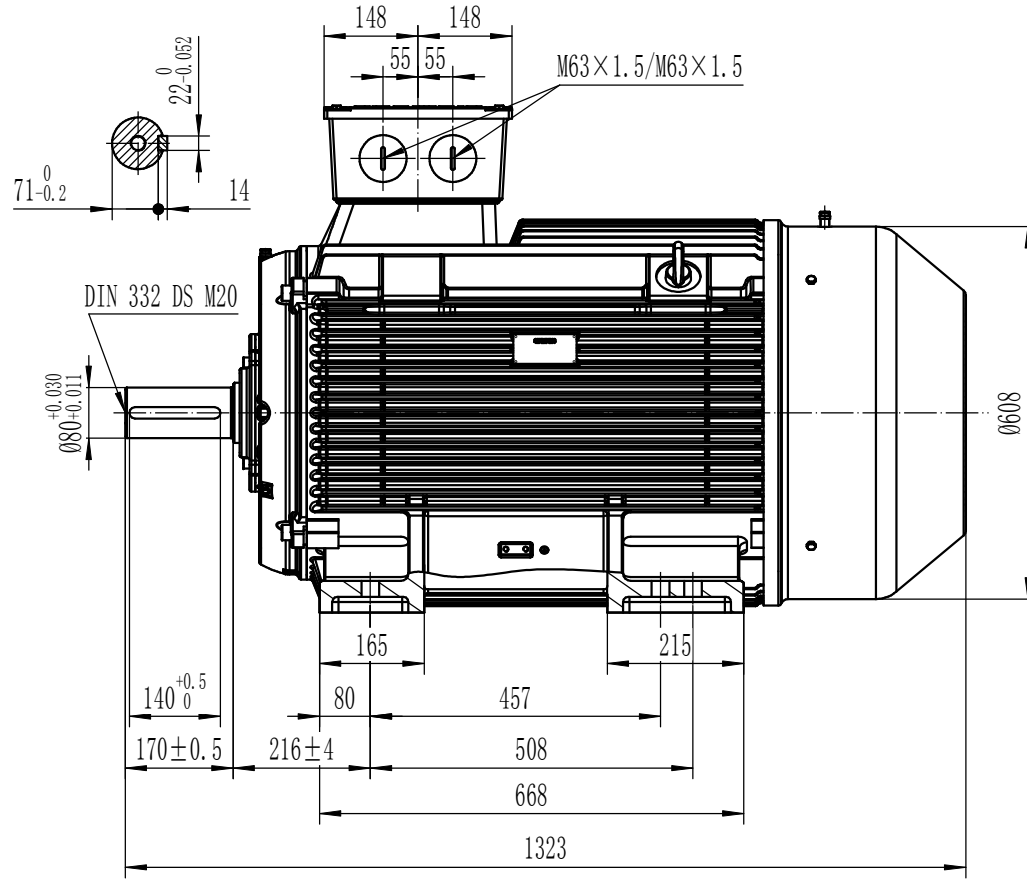
### Special configurations

Technical and ordering data are subject to change. There may be discrepancies between calculated and rating plate values.

Printed on 2013-02-08

此文件受版权保护，未经许可，不得复制或传播。所有权利保留。

The reproduction, transmission or use of this document or its content is prohibited without the written permission of the copyright holder. All rights, including patent rights created by patent or registration of a utility model or design, are reserved.



general tolerances: 未注公差 ISO2768		 CAXA	DIMENSION SHEET IMB3, FS315		重量
Revision / 版本号:					单位
		date / 日期: 20120801			mm
		name / 设计: Zhou Xiang			比例
		date / 日期: [blank]	checked / 审核: [blank]		1:7
material / 材料: material / 材料: finished part / 成品 / 材料 / 加工工艺零件号 / 模具号		dept. / 部门: I DT LD SSM TD			第 页
		Siemens	1LE0□□□-3AB7		total sheets / 总 页
replacement for: 替代版本					sheet number / 页 号: 1/1