

Datasheet for three-phase Squirrel-Cage-Motors

Order Number: 1LE0102-3AB03-4AA4

Client-order-no.:

Order-no.:

Offer-no.:

Remarks:



Item-no.:

Consignment-no.:

Project:

Electrical data

Rated motor voltage:	400VD / 690VY
Frequency:	50 Hz
Rated motor power:	110 kW
Rated motor speed:	1490 1/min
Maximum Speed:	2300 1/min
Number of poles:	4
No load current:	70 A
Rated current:	200 A
Starting current:	8.6
Rated motor torque:	706 Nm
Torque class:	L
Starting torque:	2.8
Breakdown torque:	3.1
Efficiency class:	IE 1
Efficiency 100% Load:	93.3%
Efficiency 75% Load:	93.4%
Efficiency 50% Load:	92.5%
Power factor 100% Load:	0.85
Motor protection:	without
Terminal box position:	terminal box on top

Mechanical data

Noise (Lpfa):	76.00 dB(A)
Moment of inertia:	2.2 kg m ²
Cantilever force for x0:	8700 N
Cantilever force for xmax:	7250 N
Bearing drive end:	6319 C3
Bearing non-drive end (hor.mount.):	6319 C3
Bearing non-drive end (vert.mount.):	7319 AC
Drain holes:	yes
Regreasing device:	yes
Relubrication interval at 40°C:	5000 h
Coating:	RAL 7030 stone gray

Site conditions

Ambient temperature:	-20.0°C to +40°C
Altitude above sea level:	1000m
Standards and specifications:	IEC

General data

Frame size:	315S
Type of construction:	IMB3
Weight in kg (net):	745 kg
Frame material:	Cast iron
Fan cover material:	metal
Degree of protection:	IP 55
Method of cooling:	Self-ventilated (IC 411)
Vibration class:	A (standard)
Insulation:	155(F) / 130(B)
Duty type:	S1 = cont. operation
Direction of rotation:	bidirectional

Terminal box

Material of terminal box:	Cast iron
Terminal screw thread:	M12
Max. cable cross-sectional area:	240 mm ²
Cable diameter from ... to ...:	37 - 44 mm
Cable entry:	M63 x 1.5 + M63 x 1.5
Cable gland:	no

Explosion protection

Type of protection:	without (standard)
---------------------	--------------------

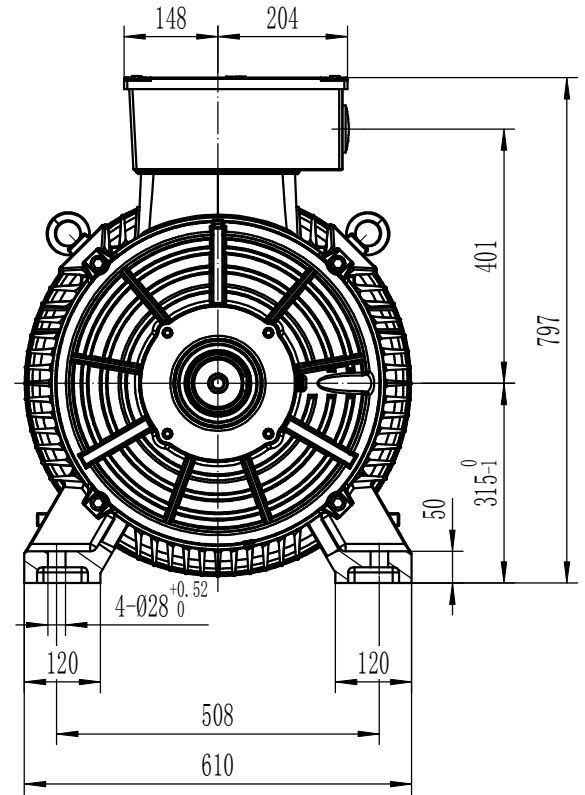
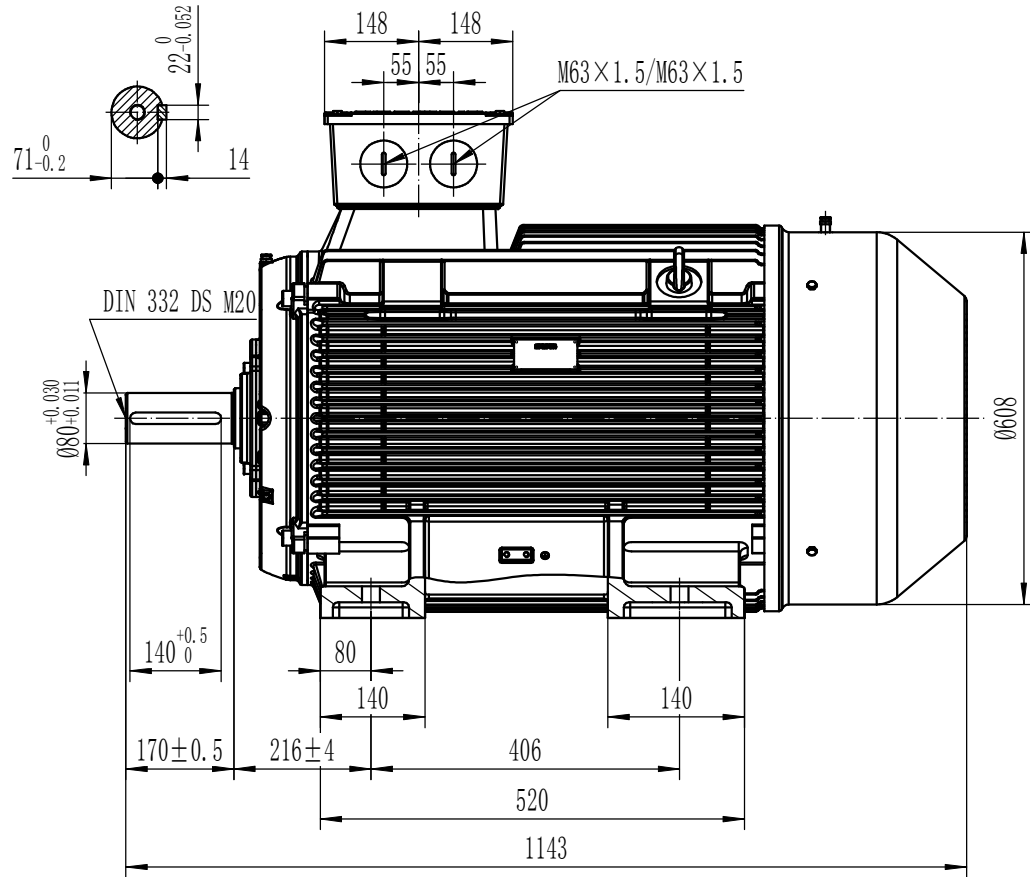
Special configurations

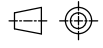
Technical and ordering data are subject to change. There may be discrepancies between calculated and rating plate values.

Printed on 2013-02-08

СЕРТИФИЦИРОВАННОЕ КОМПЬЮТЕРНОЕ ПОСОБИЕ ПО ПРОЕКТИРОВАНИЮ
 СИСТЕМ АВТОМАТИЧЕСКОГО УПРАВЛЕНИЯ
 СИСТЕМАМИ АВТОМАТИЧЕСКОГО УПРАВЛЕНИЯ

The reproduction, transmission or use of this document or its
 contents for any purpose other than that for which it was
 created is prohibited. All rights including patent rights created
 by patent or registration of a utility model or design, are reserved.



general tolerances: 未注公差 ISO2768		 CAXA	DIMENSION SHEET IMB3, FS315		重量
Revision / 版本号:					单位
		date / 日期 20120801			mm
		drawn / 设计 Zhou Xiang			比例
		checked / 审核			1:7
date / 日期		dept. / 部门 I DT LD SSM TD			张数
material / 材料 / 加工零件号 / 模具号		Siemens	1LE0□□□-3AB0		页
replacement for / 替代版本				总页	