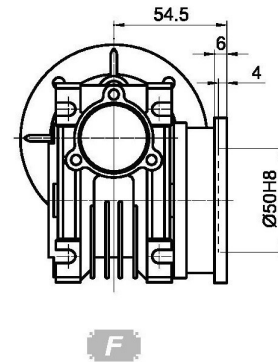
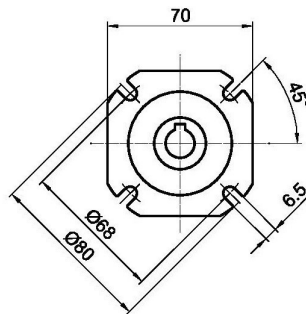
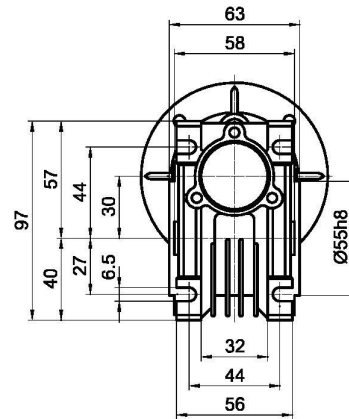
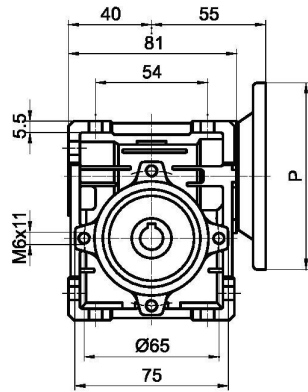
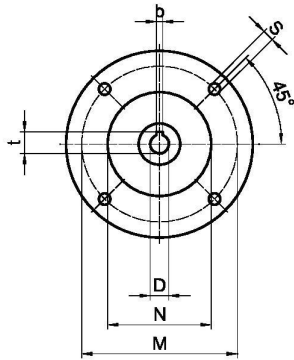


**JMRV030**



PAM IEC	D <sub>EB</sub>	b	t	P	M	N	S
63B5	11	4	12.8	140	115	95	9
63B14	11	4	12.8	90	75	60	5.5
56B5	9	3	10.4	120	100	80	6.5
56B14	9	3	10.4	80	65	50	5.5



\*Weight without motor ≈ 1.2kg