

## Datasheet for three-phase Squirrel-Cage-Motors

**Order Number: 1LE0101-1CB23-4AB4**

Client-order-no.:

Order-no.:

Offer-no.:

Remarks:



Item-no.:

Consignment-no.:

Project:

### Electrical data

Rated motor voltage:	400VD / 690VY
Frequency:	50 Hz
Rated motor power:	7.5 kW
Rated motor speed:	1460 1/min
Maximum Speed:	2700 1/min
Number of poles:	4
No load current:	6.7 A
Rated current:	14.9 A
Starting current:	7.7
Rated motor torque:	49.06 Nm
Torque class:	L
Starting torque:	2.7
Breakdown torque:	3.2
Efficiency class:	IE 2
Efficiency 100% Load:	88.7%
Efficiency 75% Load:	89.4%
Efficiency 50% Load:	88.8%
Power factor 100% Load:	0.82
Motor protection:	3 PTC thermistors for tripping
Terminal box position:	terminal box on top

### Mechanical data

Noise (Lpfa):	57.00 dB(A)
Moment of inertia:	0.029 kg m <sup>2</sup>
Cantilever force for x0:	2720 N
Cantilever force for xmax:	2170 N
Bearing drive end:	6308 2Z C3
Bearing non-drive end (hor.mount.):	6208 2Z C3
Bearing non-drive end (vert.mount.):	6208 2Z C3
Drain holes:	yes
Regreasing device:	no
Relubrication interval at 40°C:	
Coating:	RAL 7030 stone gray

### Site conditions

Ambient temperature:	-20.0°C to +40°C
Altitude above sea level:	1000m
Standards and specifications:	IEC

### General data

Frame size:	132M
Type of construction:	IMB3
Weight in kg (net):	73 kg
Frame material:	Cast iron
Fan cover material:	metal
Degree of protection:	IP 55
Method of cooling:	Self-ventilated (IC 411)
Vibration class:	A (standard)
Insulation:	155(F) / 130(B)
Duty type:	S1 = cont. operation
Direction of rotation:	bidirectional

### Terminal box

Material of terminal box:	Cast iron
Terminal screw thread:	M4
Max. cable cross-sectional area:	6 mm <sup>2</sup>
Cable diameter from ... to ...:	18 - 25 mm
Cable entry:	M32 x 1.5 + M32 x 1.5
Cable gland:	no

### Explosion protection

Type of protection:	without (standard)
---------------------	--------------------

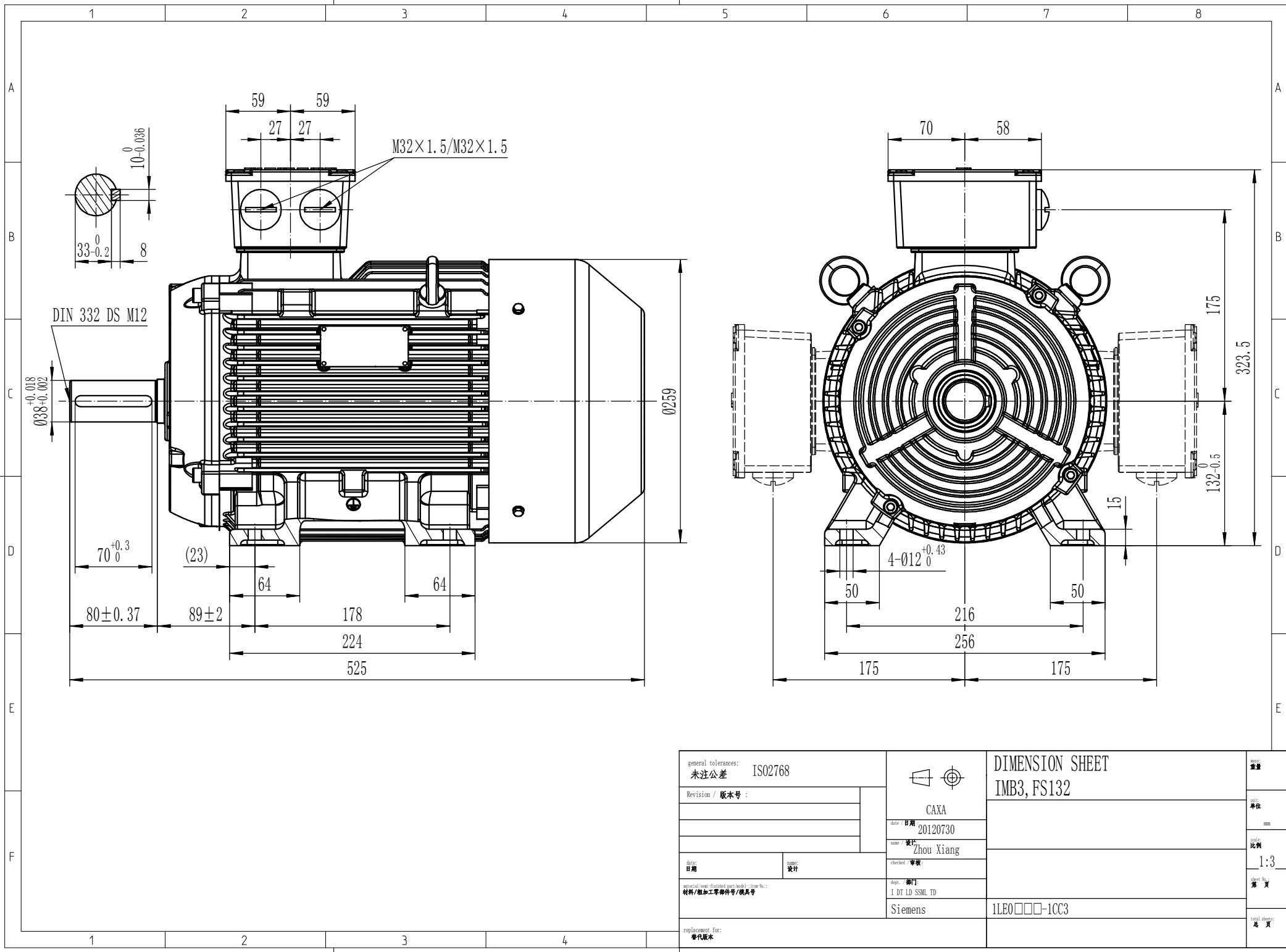
### Special configurations

Technical and ordering data are subject to change. There may be discrepancies between calculated and rating plate values.

Printed on 2013-02-08

本图档包含受保护的技术信息，未经授权不得复制或传播。保留所有权利。

The reproduction, transmission or use of this document or its content is prohibited without the prior written permission of the copyright holder. All rights including rights created by patent or registration of a utility model or design, are reserved.



general tolerances: 未注公差 IS02768		CAXA	DIMENSION SHEET IMB3, FS132		重量
Revision / 版本号:			date / 日期: 20120730		单位
		name / 设计: Zhou Xiang		mm	
		checked / 审核:		比例	
date / 日期:		dept. / 部门: I DT LD SSML TD		1:3	
material / 材料 / 加工零件号 / 模具号:		Siemens		图号 / 页	
replacement for: 替代版本:		ILE0□□□-1CC3		图号 / 页	

SIEMENS-13.20032